

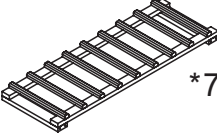
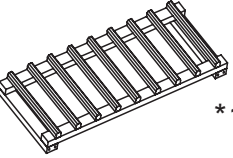





WBE64D Assembly Instruction

Parts included

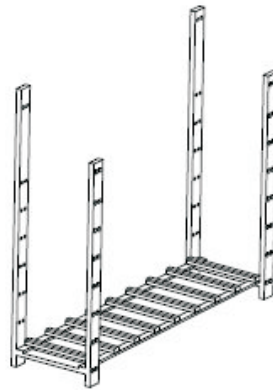
①	②	③	④	⑤	⑥	
Vertical batten (Long)	Vertical Batten (Short)	Layer board	Top display board	Wood block	Wood plug	Screws
 *2	 *2	 *7	 *1	 *1	 *64	 M3.5*30 *64

Step1



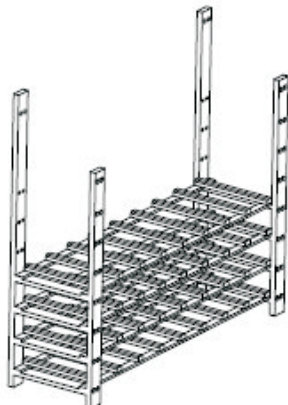
Screw a long vertical batten and a short vertical batten into a layer board as shown.

Step2



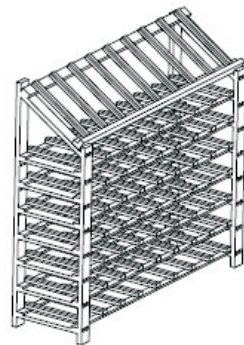
Screw the other long and short vertical batten into a layer board on the other side as shown.

Step3



Screw the other six layer boards into Vertical Batten one by one as shown.

Step4



Screw the Top display board into the top of long and short vertical batten. Insert wood plugs into the screw holes with hammer.

Important :When tighten the wood plugs with hammer,pls use the wood block to protect the surface of the wood plugs .